

Lead-Free Shut-Off *freedom* FLANGE®

The Taco® Lead-Free Shut-Off *freedom* FLANGE® is a combination full port shut-off ball valve and swivel companion flange for most Taco circulators. The simple quarter turn, lever handle operation allows for easy isolation, removal and service of circulators without draining the system. Each flange set includes bolts and nuts. Available in sizes 1/2" to 1-1/2", in NPT, Sweat, and Press connections, rated for 240°F, 150# WP.



Certified to
NSF/ANSI 61 & 372

Low-Lead
Compliant



Submittal Data Information

Lead-Free Shut-Off *freedom* FLANGE®

Submittal Data # 101-171
Supersedes: 09/10/18

Effective: 04/27/21

Features

- Easy 1/4-turn Open/Close operation
- Positive shut-off, leak free design
- Swivel-Flange allows 360° rotation
- Solid lead-free brass construction
- Chrome/Brass/Stainless steel valve ball
- High quality seats
- Full port ball valve for unrestricted flow
- Available Sizes: 1/2" - 1-1/2" NPT
1/2" - 1-1/2" Sweat
3/4" - 1-1/2" Press
- Includes Bolts and Nuts

Materials of Construction

Valve Body: Solid brass - Lead-Free
Valve Ball: Chrome plated
-brass/stainless steel
Flange: Epoxy powder coated
steel/painted brass
Packing Seal: PTFE
Valve Seat: PTFE
Valve Stem: Brass
Handle: Chrome plated
steel/vinyl cover

Operating Data

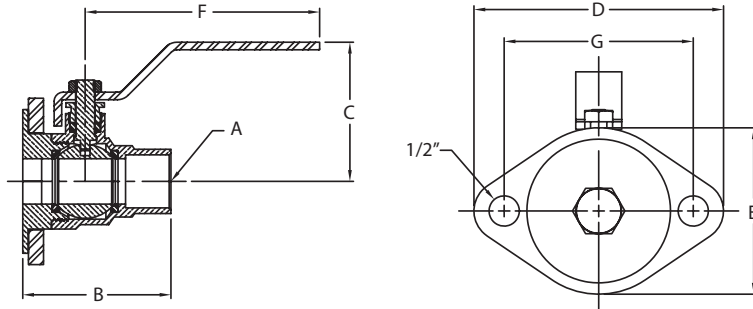
Maximum Working Pressure = 150 psi
Maximum Operating Temp:
240°F (115°C)



Low-Lead
Compliant

Application

The Taco Lead-Free Shut-Off *freedom* FLANGE® is a combination full port shut-off ball valve and swivel companion flange for most Taco circulators. The simple quarter turn, lever handle operation allows for easy isolation, removal and service of circulators without draining the system. Each flange set includes bolts and nuts. Available in sizes 1/2" to 1-1/2", in NPT, Sweat, and Press connections, rated for 240°F, 150# WP.



Dimensions & Weights

Model	Connection	A		B		C		D		E		F		G		Wt.		Compatible Products
		Size	in.	mm	in.	mm	in.	mm	in.	mm	in.	mm	in.	mm	lbs.	kg		
SFL-050T	NPT	1/2"	2	51												2.5	1.1	005, 006, 007, 008, 009, 0010, 0011, 0012 0013, 0014, 0015 110, 111, 112, 113 2400-10, 2400-20, 2400-45, 2400-50 007e, 0015e3, 0018e, VR1816, VT2218, 0026e, 0034e, 0034ePlus, VR3452
SFL-050S	Sweat																	
SFL-075T	NPT	3/4"	2.25	57	2	51					3.87	98				3	1.4	
SFL-075S	Sweat		2.5	64														
SFL-075P	Press		2.95	75														
SFL-100T	NPT	1"	2.5	64	2.5	64	4.12	105	2.75	70	4.5	114	3.12	79		3.5	1.6	
SFL-100S	Sweat		2.75	70														
SFL-100P	Press		3.19	81														
SFL-125T	NPT	1-1/4"	2.75	70	2.75	70										4	1.8	
SFL-125S	Sweat		3	76														
SFL-125P	Press		3.84	98														
SFL-150T	NPT	1-1/2"	3.87	98	3.5	89					5.5	140				5.2	2.4	
SFL-150S	Sweat		4.12	105														
SFL-150P	Press		4.41	112														3
SFL-125T-0012	NPT	1-1/4"	2.75	70	2.75	70	4.5	114	3	76	4.5	114	3.5	89		4.7	2.1	0012, 2400-30, 2400-40
SFL-125S-0012	Sweat		3	76														
SFL-150T-0012	NPT	1-1/2"	3.87	98	3.5	89					5.5	140				6.9	3.1	
SFL-150S-0012	Sweat		4.12	105														

Weights and dimensions are for reference only



Taco Inc., 1160 Cranston Street, Cranston, RI 02920 / (401) 942-8000 / Fax (401) 942-2360
Taco (Canada) Ltd., 8450 Lawson Road, Unit #3, Milton, Ontario L9T 0J8 / (905) 564-9422 / Fax (905) 564-9436